



CONNECTOR

WORLD TRADE

CWT CORDLESS POLYSTYRENE CUTTER





CONNECTOR

WORLD TRADE

Connector World Trade - Cordless Polystyrene Cutter

CWT Cordless Polystyrene Cutter

- Intermittent operation:
15 sec. ON
45 sec. OFF
- Operation time battery:
± 30 minutes with continuous use
- Power supply:
Li-Ion battery
36Volt-2,0Ah-72Wh
- Charging time battery: 75 minutes
- Power output:
180 Watt
- **Blade temperature adjustable to:**
maximum **350°C**
- Blade easy to exchange
- Weight cutter:
1100 gram
incl. blade & battery

The CWT cordless polystyrene cutter set comes with

- 1 x **CWT Heavy Duty C-100 blade**
(length = 100 mm)
- 1 x Li-Ion battery with **LED-capacity indicator**
- 1 x battery charger with EU-plug
Input: 100 - 240VAC
50/60Hz
1,8Ah (Max.)
Output: 42VDC
2,0Ah
- 1 x Allen key
- 1 x brass brush
- 1 x carrying case
- Operation manual



The CWT Cordless Polystyrene cutter is an exceptionally practical heat cutting tool powered by a rechargeable Li-Ion battery. This cordless cutter eliminates the need for a power cord, making it particularly suitable for locations where electricity may not always be available, for on-the-go use, or when a cord would impede the cutting process. With a maximum cutting depth of 250 mm, this cutter offers versatile application possibilities.

This versatile battery-powered heat cutter is specifically designed for cutting polystyrene foam and hard foam materials, also known as EPS, XPS, Tempex, ISOMO, Blue Board, Styrofoam, and Styropor. It is perfectly balanced, making it very comfortable to hold.

The adjustable blade temperature of this handy cutter enables precision, cleanliness, and efficiency, rendering this tool unique in its category.

This tool, valued by professionals, DIY enthusiasts, and hobbyists alike, finds application in diverse sectors, including the construction industry, packaging industry, insulation industry, as well as among artists, sculptors, designers, concrete processors, decor builders, and more.

CWT cordless polystyrene cutter set - Item. No. 25.1.500



CONNECTOR

WORLD TRADE

Connector World Trade - Cordless Polystyrene Cutter

The following items are available separately and fit the CWT cordless polystyrene cutter

Item No. 25.2.026



CWT Heavy Duty C-100 blade

Length = 100mm

Item No. 25.2.027



CWT Heavy Duty C-150 blade

Length = 150mm

Item No. 25.2.028



CWT Heavy Duty C-200 blade

Length = 200mm

Item No. 25.2.029



CWT Heavy Duty C-250 blade

Length = 250mm

Item No. 25.2.055



CWT CN-14 blade

curved for Ø14mm grooves

Item No. 25.2.065



CWT CN-20 blade

curved for Ø 20mm grooves

Item No. 25.2.075



CWT CN-25 blade

curved for Ø 25mm grooves

Item No. 25.2.095



CWT CR-20 blade

curved for 20mm grooves
with depth-guide

Item No. 25.2.085



CWT CS-20 blade

rectangular for 20mm grooves
with depth-guide

Item No. 25.2.105



CWT CV-20 blade

V-shape voor for 20mm grooves
with depth-guide

Item No. 25.2.047



CWT D68-65 blade

cavity wall box cutter
Diameter = Ø 68mm
Depth adjustable till max. 65mm

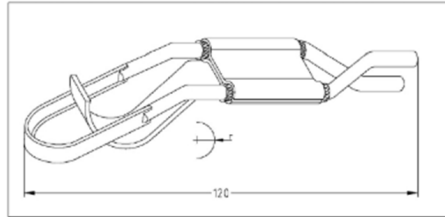


CONNECTOR

WORLD TRADE

Connector World Trade - Cordless Polystyrene Cutter

The following blades are available separately and are specially designed for the CWT cordless polystyrene cutter, with these blades you can effortlessly cut grooves in which you easily can install pipes, tubes, hoses and cables.



Item No. 25.2.192



CWT groove blade Ø 20mm

curved for Ø 20mm grooves
with depth-guide

Item No. 25.2.193



CWT groove blade Ø 27mm

curved for Ø 27mm grooves
with depth-guide

Item No. 25.2.194



CWT groove blade Ø 34mm

curved for Ø 34mm grooves
with depth-guide

Item No. 25.2.195



CWT groove blade Ø 40mm

curved for Ø 40mm grooves
with depth-guide





CONNECTOR

WORLD TRADE

Connector World Trade - Cordless Polystyrene Cutter

The following blades and adapters are available separately and are specially designed for the CWT cordless polystyrene cutter, with these blades you can effortlessly cut grooves in which you easily can install pipes, tubes, hoses and cables.



The **CWT groove adapter** comes complete with 3 blades
CWT groove blade \varnothing 20mm - CWT groove blade \varnothing 27mm
CWT groove blade \varnothing 34mm

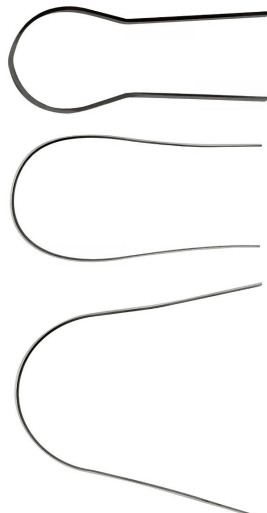


Item No. 25.2.289

Item No. 25.2.320

Item No. 25.2.321

Item No. 25.2.322



CWT groove blade \varnothing 20mm
curved for \varnothing 20mm grooves

CWT groove blade \varnothing 27mm
curved for \varnothing 27mm grooves

CWT groove blade \varnothing 34mm
curved for \varnothing 24mm grooves

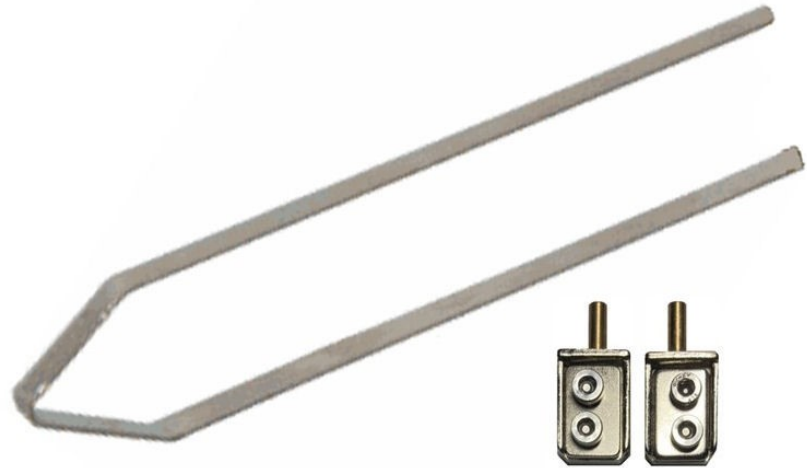


CONNECTOR

WORLD TRADE

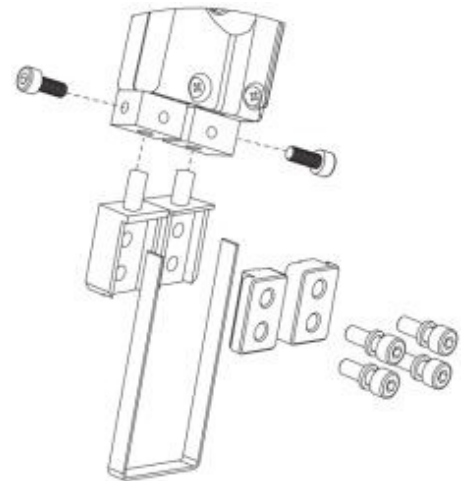
Connector World Trade - Cordless Polystyrene Cutter

The CWT sculpture-adapter with blade is available separately and specially designed for the CWT cordless polystyrene cutter
With this adapter you can sculpt and shape



Item No. 25.2.287

CWT sculpture adapter including 305mm blade



Installation instructions of the sculpture adapter with rectangular shaped blade

Item No. 25.2.399



CWT bending & cutting pliers

Item No. 25.2.307



CWT blade 305mm bendable in desired shape

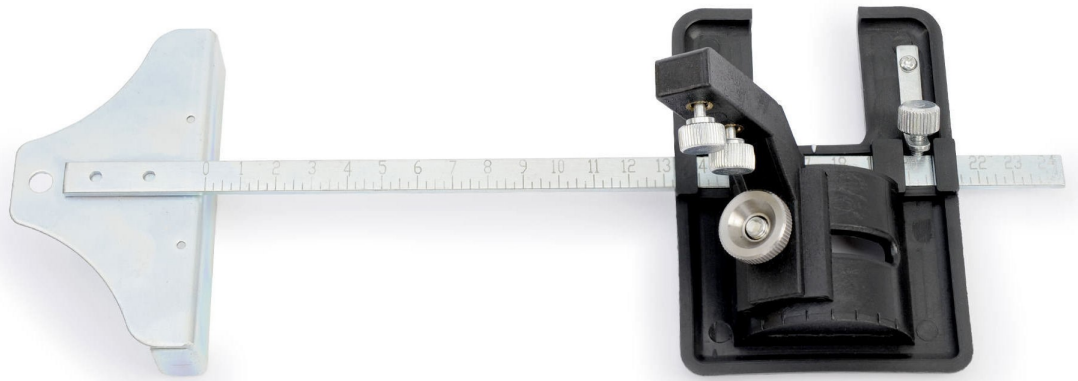


CONNECTOR

WORLD TRADE

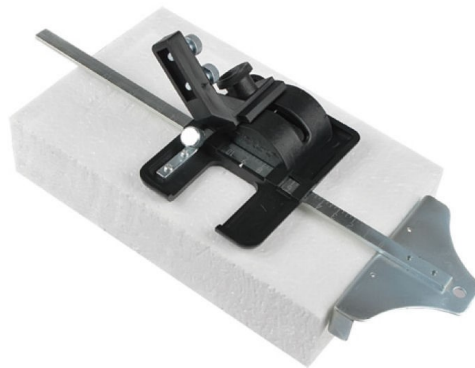
Connector World Trade - Cordless Polystyrene Cutter

The CWT vertical/miter adapter (45-90°) with ruler-guide is available separately and is specially designed for the CWT cordless polystyrene cutter. This adapter allows effortless vertical and miter cutting.

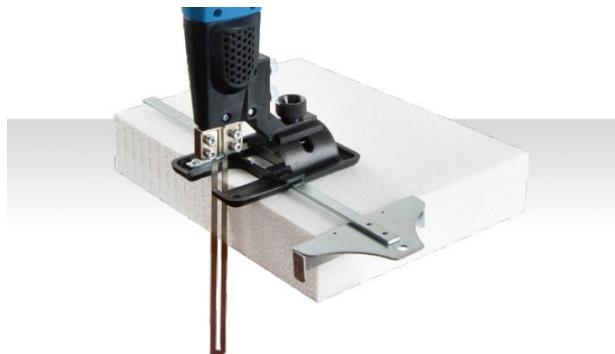


CWT vertical/miter adapter (45-90°) with ruler-guide

Item No. 25.2.288



CWT vertical/miter adapter with ruler-guide



Vertical cutting



Miter-cutting (45-90°)

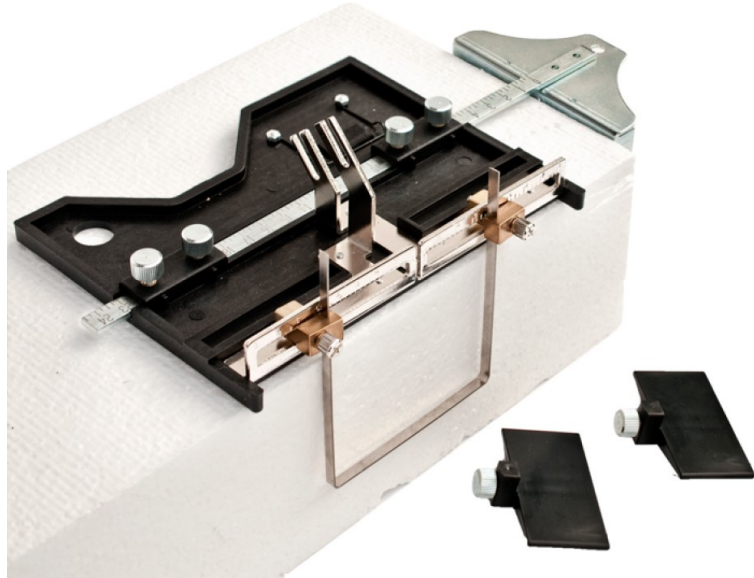


CONNECTOR

WORLD TRADE

Connector World Trade - Cordless Polystyrene Cutter

The CWT sled groove-adapter and blade are available separately and are specially designed for the CWT cordless polystyrene cutter, with this set you can effortlessly cut profile grooves to your preferred shape

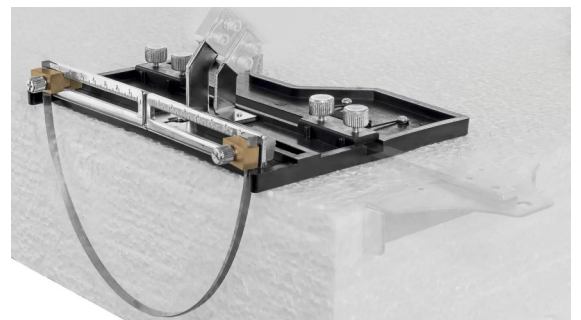
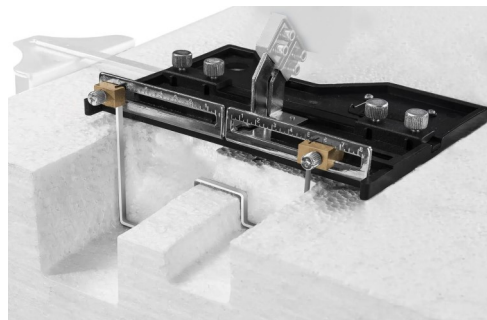


The **CWT sled groove adapter** comes complete with 1 x CWT blade 305 mm, 1 x ruler-guide and 2 extra small side-guiders

This blade can be cut to the right length with pliers and bend it into any desired shape

Maximum cutting width = 160mm

Item No. 25.2.290



Item No. 25.2.307



CWT blade 305 mm

Bendable in desired shape



CONNECTOR

WORLD TRADE

Connector World Trade - Cordless Polystyrene Cutter

The following products are available separately and specially designed for the CWT cordless polystyrene cutter

Item No. 25.5.036



CWT Li-Ion battery with
LED-capacity indicator
36Volt- 2.0Ah - 72Wh

Item No. 25.5.042



CWT battery charger
Input: 100-240Volt
50/60 Hz
1,8Ah (max.)
Output: 42V - 2,0Ah

Item No. 25.2.399



CWT bending and cutting pliers
Stainless steel

Item No. 25.2.307



CWT blade 305 mm
bendable in desired shape



CONNECTOR
WORLD TRADE

HSGM
Heischneide- Gerte und -Maschinen GmbH

Connector World Trade - thermal polystyrene cutting equipment

CWT

Important information concerning thermal polystyrene cutting equipment

Polystyrene cutters have been specially developed for cutting polystyrene foam material also known as: EPS, XPS, Tempex, ISOMO, Blue plate, Styropor, Styrofoam & Rigid foam, low flammability according to DIN 4102.

Fumes which may develop during the cutting process must be removed by working in a room with an extraction fan.

PVC and PVC-layered materials should not be cut with this tool as the resultant fumes are hazardous to one's health.

Do not touch the blade while cutting or after the switch has been depressed to avoid burnings.

Do not lean the manually operated tools against anything if the blades are not completely cooled. Always unplug the unit when not in use.

The machines and products shown in this catalog are just a small variety of our range. We mainly carry special purpose machines but also supply components and parts.

Furthermore, we also specialize in the following products

- Rope & Sail heat cutting equipment
- Rope and belt heat cutting machines
- Textile & fabric heat cutting equipment
 - Machines cutting fabric in width
 - Machines cutting fabric in length
- Thermal shape-cutting installations
- Specialized units, devices and machines
- Custom-made blades, parts and machines



CONNECTOR

WORLD TRADE

GLOBAL DISTRIBUTOR

of

**CWT & HSGM heat cutting equipment
&
ENGEL transformers and power supplies
&
CWT veterinary medical instruments**

**Connector World Trade
Bingerweg 2 D
2031 AZ Haarlem
The Netherlands**

**Phone: +31 233030124
WhatsApp: +31 624558408**

info@cwtnl.com

Visit our website

**www.connectorworldtrade.com
www.hsgm.org**